

CPU Holder

Dual Strap CPU holder is a streamlined and adjustable device with an innovative strap-support design. This enables the CPU to be off the floor or desking surface to create a space-saving solution. By elevating the unit, the users also benefit from its easy accessibility.

Features

CPU retracts on a 17" glide track and swivels to allow full accessibility and easy storage

Accommodates CPU's weighing up to 30 lbs and measuring 64" in perimeter

Installation is quick and easy as straps adjust and fasten with buckles

Soft touch Anti-slip pads protect the CPU

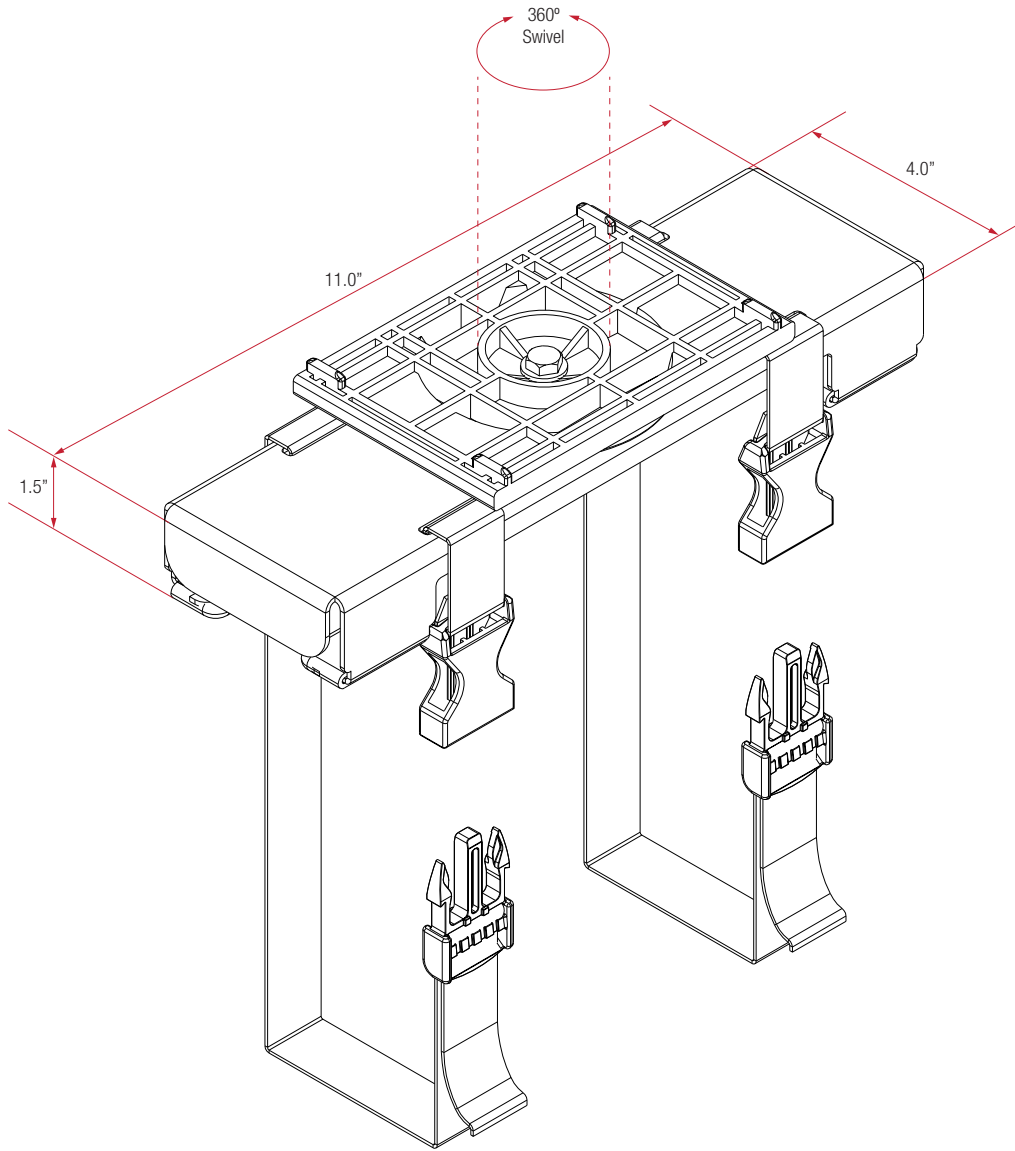
Benefits

Frees up floor or desk space and makes for a safer work environment

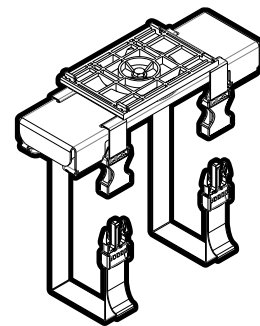
Flexible, strong and versatile

Can be customized for every workstation

Supports and protects both rectangular and curved CPU's



CPU Holder



Model	Width Adjustment	Weight	Weight Capacity	Swivel	Track Size
CPU-DS	64.0" maximum	3.6 lbs	30 lbs	360°	17.0"



Notes: 1. Weight = packaged shipping weight per unit. 2. Specifications are subject to change without notice.