

Rise 36

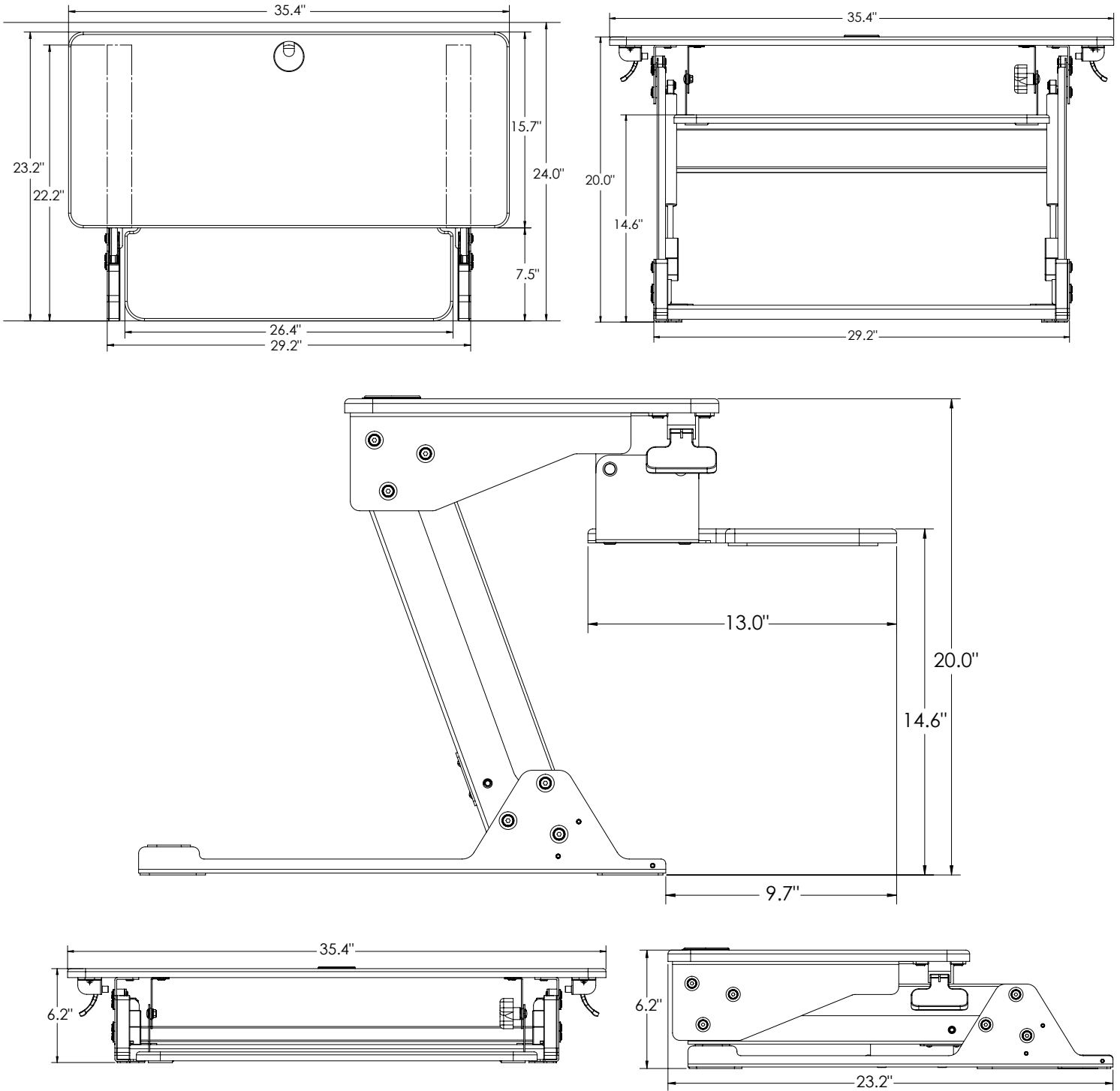
Desktop Sit-Stand Workstation



Shown with optional dual monitor mount

The Sit-Stand Desktop Workstation, quickly and economically converts an existing desk to a smooth and effortless sit-stand workstation.

Feature	Benefit
Ships fully assembled	No tools are required, making it easy to retrofit existing office spaces
Compact footprint	Easily fits onto a 24" deep desk with added room for personal adjustment
Gas assisted height adjustment	Provides smooth, quiet and infinite height adjustment, users can easily set it to their ideal ergonomic position
Primary work surface can be extended 20" above the desk	A large height adjustment range accommodates a greater variety of users
Large useable primary work surface	The large primary work surface accommodates 2 x 24" monitors, monitor arms, an Apple iMac or laptop with monitor
20° of keyboard surface tilt	Allows the user to infinitely adjust the keyboard surface tilt from -10°/+10° for an ergonomic typing position, in the sitting or standing position
Keyboard surface adjusts with the primary work surface	Improved ergonomics over competitive units that are just one work surface
Primary work surface grommet	Allows for cable management and attachment of a monitor arm to improve ergonomic functionality and to clear the secondary work surface
Supports 35 lbs. of technology	Strong enough to support users technology requirements
Weighs 40 lbs.	Light enough for simple installation and moving from desk-to-desk



CS RISE Desktop Sit-Stand Workstation

Model	Description	Weight Capacity	Weight	Shipping Weight	Box Dimensions
CS RISE Desktop Sit-Stand Workstation		35 lbs.	40 lbs.	47 lbs.	27.5" w x 38" l x 8" h

Notes: 1. Weight = packaged shipping weight per unit. 2. Specifications are subject to change without notice.



Collaborative Spaces
 Denton, Tx 76205
 ph. 877-405-4305
www.mycollaborativespaces.com