

RISE-42 HD-COR

Desktop Sit-Stand Workstation

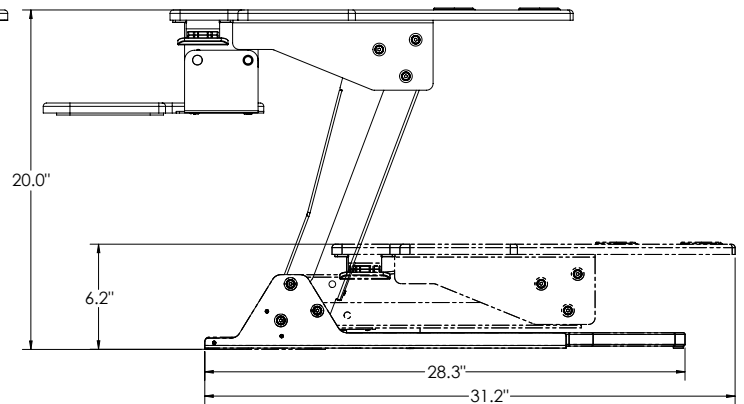
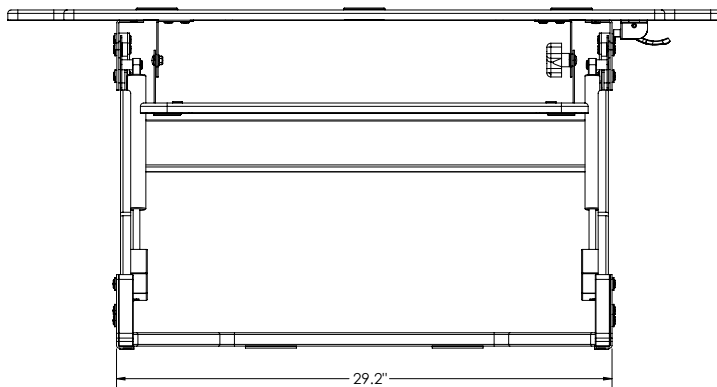
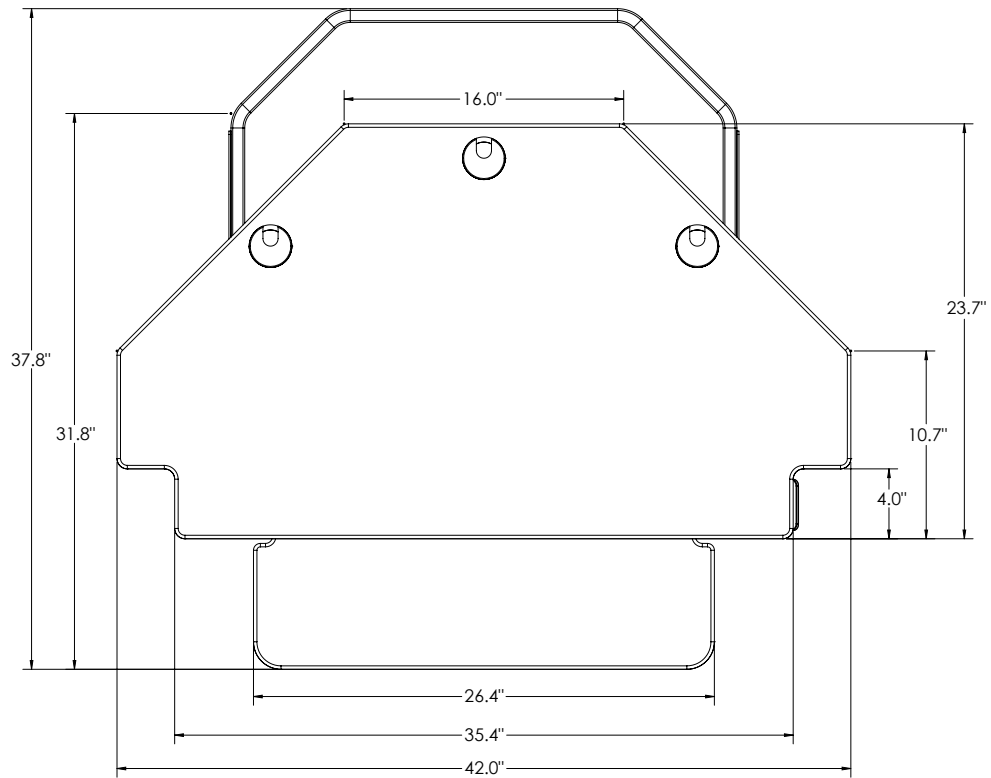


Rise 42 Corner Desktop Sit-Stand Workstation

Fitting neatly into the corner of a 90° desk, the Rise Corner Desktop Sit-Stand Workstation instantaneously converts the desk to a stable, smooth operating and ergonomic sit-stand workstation. With a 42" wide

primary work surface specially designed to fit corner desk applications and a robust 35 lbs. load capacity, the Rise easily accommodates two 27" monitors and still has extra space for other work tools sit-stand workstation.

| Features | Benefits |
|---|--|
| Designed to fit 90° corner desk applications | Maximize the functionality of the traditional 'wasted space' in the desk corner |
| Single paddle height adjustment control | Single paddle activation for added control when raising or lowering the workstation |
| Gas assist height adjustment | Smooth, quiet and infinite height adjustment through a 14.6" range to easily set the workstation to an ideal ergonomic position |
| 42" wide primary work surface | Easily accommodates two 27" monitors |
| Primary work surface can be extended 20" above the desk | A large height adjustment range accommodates a greater variety of users |
| 35 lbs. total weight capacity | Strong enough to support user's technology requirements |
| Three grommet holes in the primary work surface | Offers cable management and attachment of a monitor arm to improve ergonomic functionality and to clear the primary work surface |
| Keyboard surface adjusts with the primary work surface | Improved ergonomics over competitive units that have only one work surface |
| Keyboard tray has 20° of tilt | Infinitely adjust the keyboard surface tilt from -10° / +10° for an ergonomic typing position |
| Includes clip-on mouse fence | The moveable mouse fence has integrated cable slots to neatly control mouse cords |
| Preassembled and ready to use | Place in position and start working right away |
| Weighs 42 lbs. | Light enough for simple installation |
| Two year warranty | Tested to 15,000 cycles to provide worry free reliability |
| Available in black | A neutral color to match any office design décor |

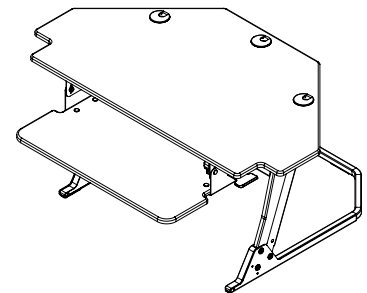


Rise Corner Desktop Sit-Stand Workstation

Ancillary Products:

- For flat panel displays, specify the Summit or Traverse flat panel monitor support system

| Model | Description | Weight Capacity | Box Size | Shipping Weight | Color | Weight |
|----------------|--------------------------------------|-----------------|----------|-----------------|-------|---------|
| Rise 42-HD-COR | Corner Desktop Sit-Stand Workstation | 35 lbs. | TBD | TBD | Black | 42 lbs. |



Notes: 1. Weight = packaged shipping weight per unit. 2. Specifications are subject to change without notice.