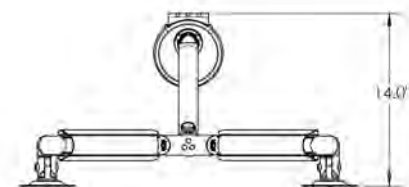
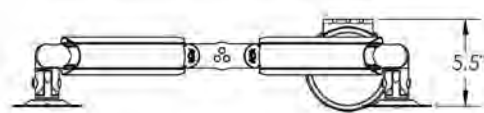
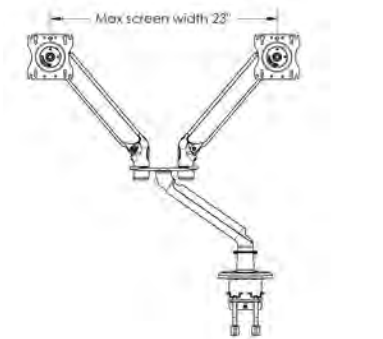
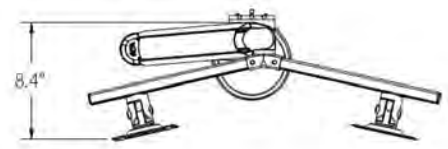
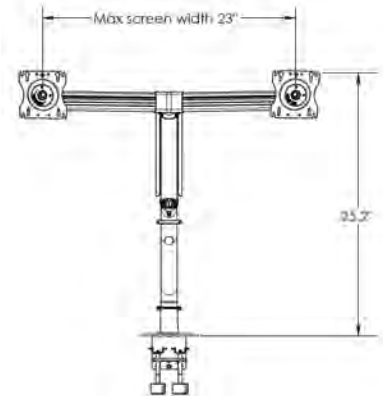
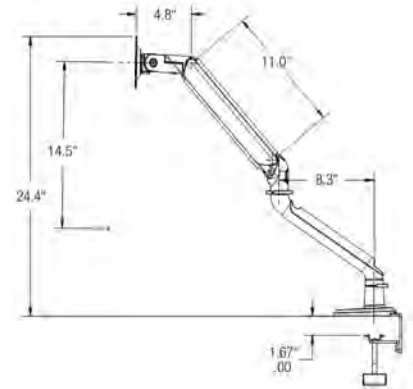


Summit

Monitor arm series

Collaborative
Spaces





Summit Monitor Arms

Clean line style meets dynamic versatility with the Summit monitor arm series. Summit monitor arms offer the best of functionality and design for your workspace.

- Single Arm- Lite duty for 5-20lbs, Heavy Duty for 10 -30lbs monitors
- Dual Array- Heavy Duty for up to 28lbs total for 2 monitors
- Dual Hub - Two Independent adjustable upper arms, 5-20lbs each.
- Dual Hub offers unique design to maximize work surface space by allowing additional width adjustment with the Hub mount
- Silver, White, Black Finish
- Full motion upper arm with weight gauge setting integrated into the arm
- Wire management on both upper and lower arms
- -90° to +45° tilt, 360° portrait to landscape viewing
- 14 1/2" of height adjustment, and 26" of maximum reach
- 75mm and 100mm VESA hole patterns, with quick disconnect plates included
- Clamp and grommet mount included
- Ships fully assembled.

Part No.

Description

SUMMIT 1-LD	Single Arm, Light Duty 5-20 lbs monitor
SUMMIT-1-HD	Single Arm, Heavy Duty 10-30 lbs monitor
SUMMIT 2-ARRAY	Dual Array Bar, Combined monitor weight 6-28 lbs total for 2 monitors
SUMMIT 2-2A	Dual Independent Upper Arms, 5-20lbs each monitor, 10-40 lbs max total weight