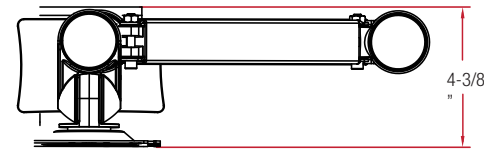
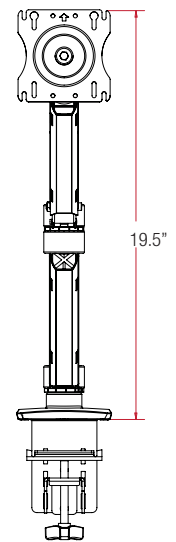
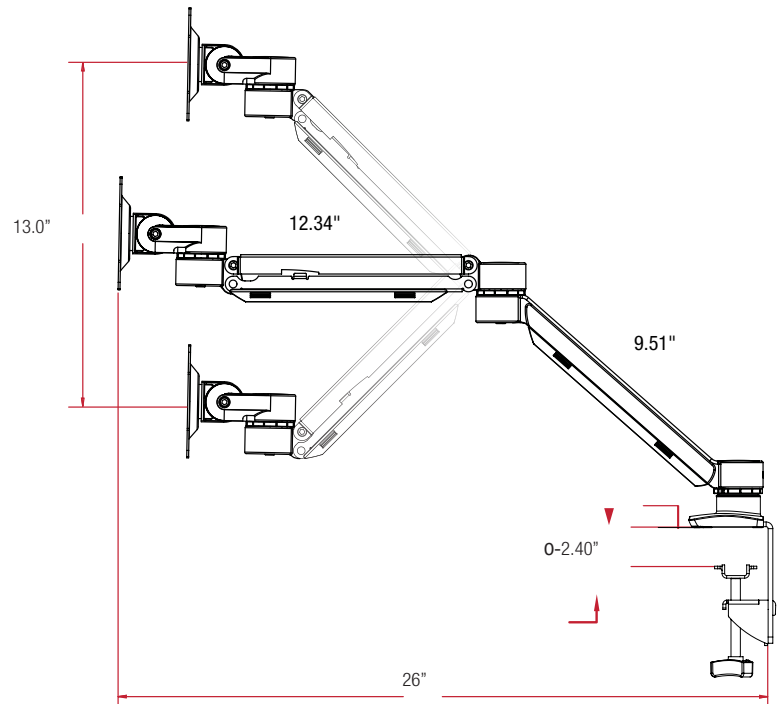
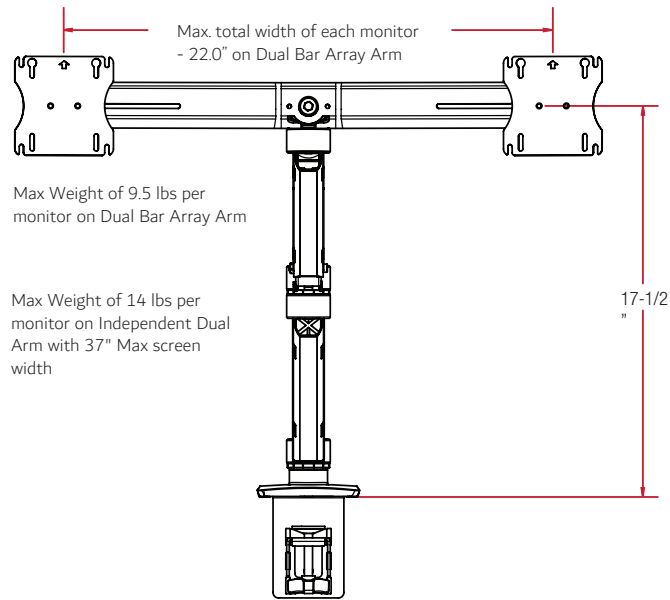


Traverse

Monitor arm series

Collaborative
Spaces





Traverse Monitor Arms

Increase your options for monitor arm placement and access with a class-leading 26.0" reach and 13.0" of usable height adjustment. The new Traverse arm also features a pole-less design on the Single and Dual Bar Array arms for optimal space and storage. Its counterbalanced spring technology allows for a 2 to 14 lbs load [er monitor and provides a longer life for the product by not relying on gas cylinders. Dual Bar has a max combined monitor weight of 19lbs.

- Best in class arm provides 26.0" of reach with 13.0" of usable height adjustment.
- Visually appealing pole-less monitor arm folds into a 4-3/8" area for more desk space in smaller work environments.
- Tool-less clamp installation makes assembly quick and easy.
- Flexibility and more options for the end user with a simple, easy-to-use Allen wrench adjustment to counterbalance the weight of the monitor.
- With a clamping range of 0" to 2.40" (clamp) that is standard for the Xtend, this new arm will fit to any work surface.
- Enclosed cable management system hides cables
- Counterbalanced spring technology allows for a 2 to 14 lbs load (no gas leakages from use of gas cylinders)
- The arm swivels 360° around the base, increasing the options for display position.
- Choice of colors – silver, white or black
- Made in USA - BAA compliant. Meets GSA bid requirement.

Part No.	Description
TRAV-1-LT-NP	Single Screen, double extension arm (1 height adjustable). No Pole, 2-14 lbs monitor, Max screen 37".
TRAV-2- ARRAY-LT-NP	Dual Screen, standard cross bar bracket, double extension arm (1 height adjustable), max 22" screen width. No pole, 19 lbs total monitor weight
TRAV-2-2A-LT-4P	Dual Screen, two double extension arms (each with one height adjustable segment), max 37" screen width. Four inch pole, 2-14 lbs monitors