

Adapt

Keyboard drawer

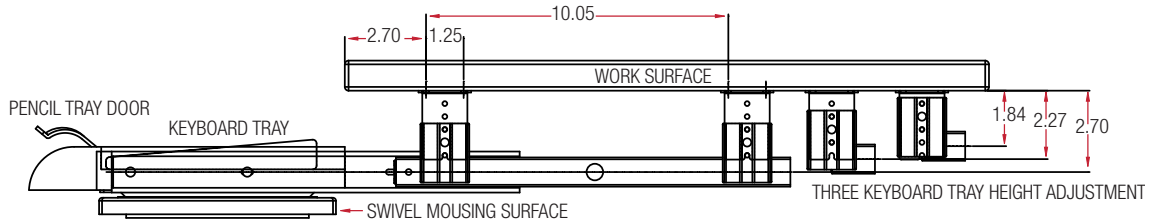
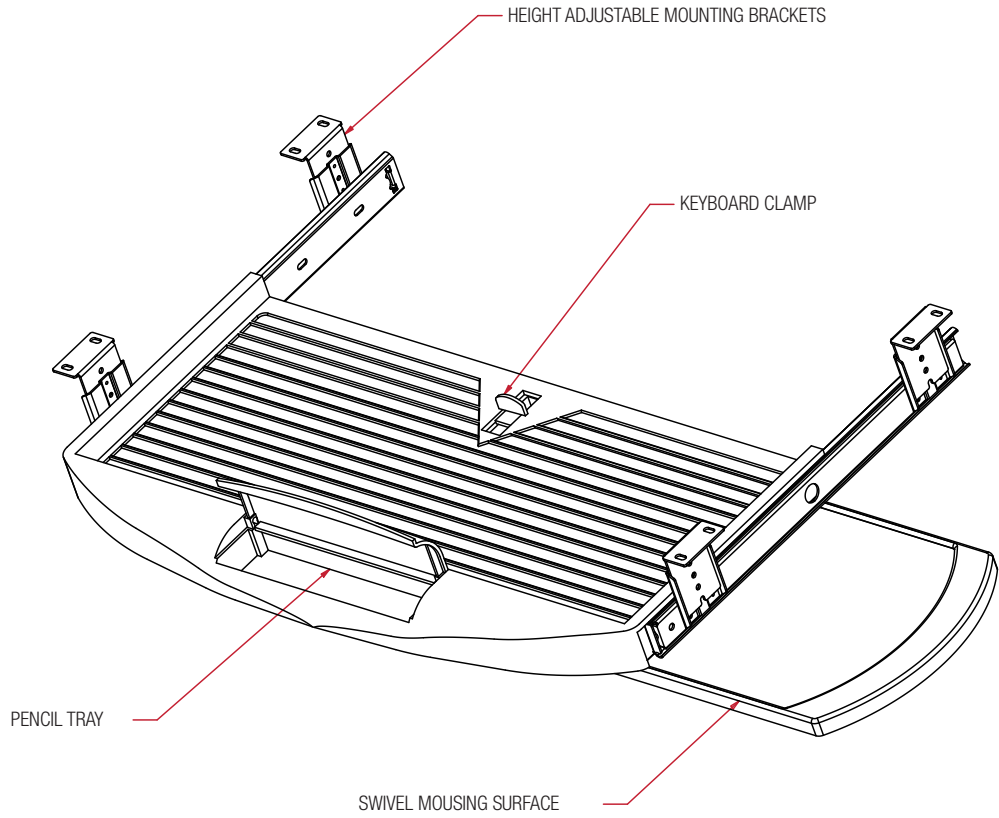


C400

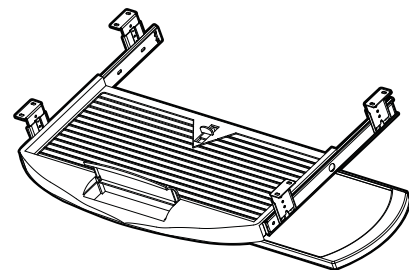
Adapt keyboard drawer is an economical keyboard tray solution intended for occasional computer users. Features a contoured palm rest with a compartment for pens, pencils and supplies, plus a mousing surface that slides below the tray when not in use. For added convenience, the entire unit slides easily below most work surfaces on precision ball bearing drawer slides.

Keyboard Drawer

Features	Benefits
Stable, durable design	Sturdier than a steel tray
Two low friction ball bearing slides for installation and storage below work surface	Makes the tray slide easier into the storage position under the work surface
Pull out mouse tray (mountable left or right)	Adjustable mousing to a left or right side neutral zone allows for better ergonomic positioning
Palm rest / pencil and pen compartment	Palm rest offers gentle support while the pencil and pen compartment offers a handy storage area
Keyboard platform accommodates standard and ergonomic shaped keyboards	Designed with flexibility in mind without losing focus on ergonomics



Adapt Keyboard Drawer



Model	Bracket Height	Tray Width	Tray Depth	Load	Storage	Finish	Weight
KBD-1	1.8" to 2.7"	21.9"	10.6"	100 lbs	16" Ball bearing slides	Black plastic	4.6 lbs



Finish: Black
Code Compliance: Exceeds ANSI/BIFMA standards

Notes: 1. Weight = packaged shipping weight per unit. 2. Specifications are subject to change without notice.



Collaborative Spaces
Denton, Tx 76205
ph. 877-405-4305
www.mycollaborativespaces.com