

# CPU-LCLAMP

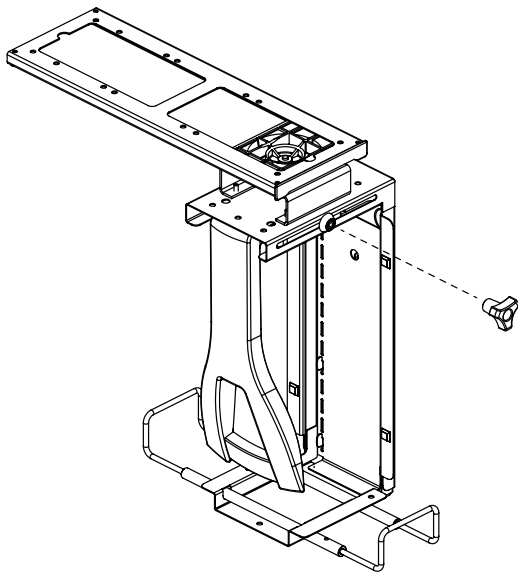
L CLAMP



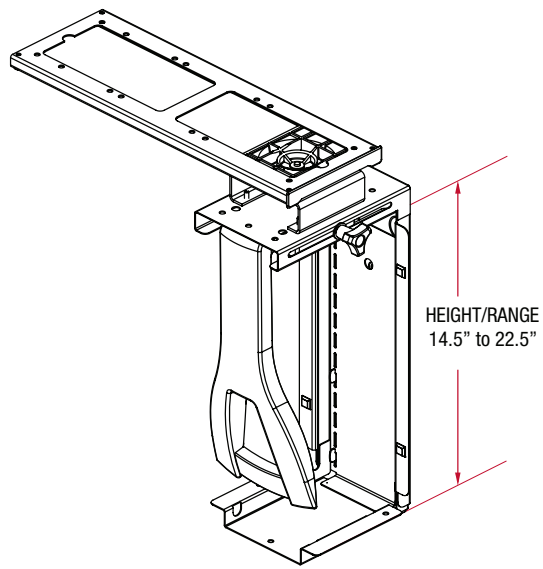
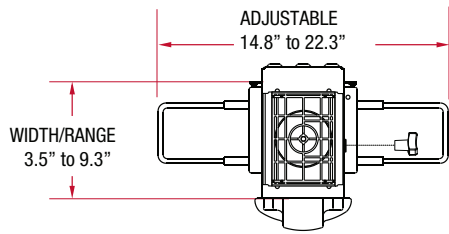
## CPU L CLAMP

Available in standard or locking models, the L CLAMP series CPU holders have increased stability and clamping force, stored on a 17" glide track, along with adding a tamper-proof locking nut to the current line of locking CPU holders

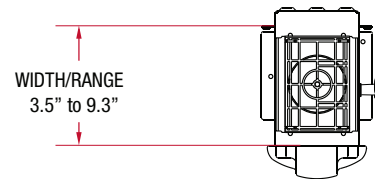
Features	Benefits
Plastic side clamp with bumpers	Increased stability and clamp force
Tri-Lobed knob control to adjust clamp	Intuitive usability
Side mountable	Allows for wall or table leg mounting
360° swivel available on most models	Allows access to rear panel connections
Models available with heavy-duty, tamper-proof locking nut with a special locking pentagonal key	Deters theft
Adjustable width (3.5" to 9.3") and Height (14.5" to 22.5")	Can be customized to fit most tower CPU's
Fixed mount or optional track (glide or ball bearing)	Storable



CPU-LCLAMP-L-T (lockable cpu holder with track)



CPU-LCLAMP-T (non-lockable cpu holder with track)



CPU-LCLAMP-L  
(lockable no track)



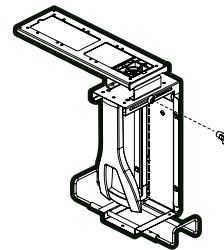
CPU-LCLAMP-L-T  
(lockable, with track)



CPU-LCLAMP  
(NON lockable, no track)



CPU-LCLAMP-T  
(NON lockable, with track)



Notes: 1. Weight = packaged shipping weight per unit. 2. Specifications are subject to change without notice.