

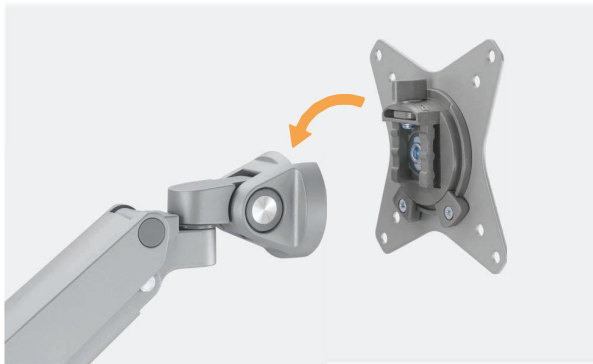
EXP -V3

## Gas Spring **Monitor Arms**

Contemporary Look for a Modern Workplace.



# EXP-V3



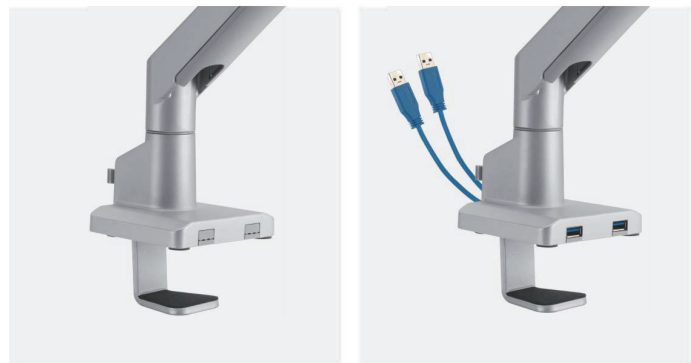
**Detachable VESA Plate**  
for quick attachment and detachment



**Integrated 180° Rotation Stop**  
prevents the arm from hitting adjacent partitions  
and walls



**Quick-Release Joint**  
for easy user assembly while reducing  
packaging size (perfect for e-commerce platform sellers)



**Optional USB Access**  
snap-off plates on the base for data or to charge devices  
(LDT62-C012U/C012UP/C024U/C024UP/C036UP)

# EXP-V3



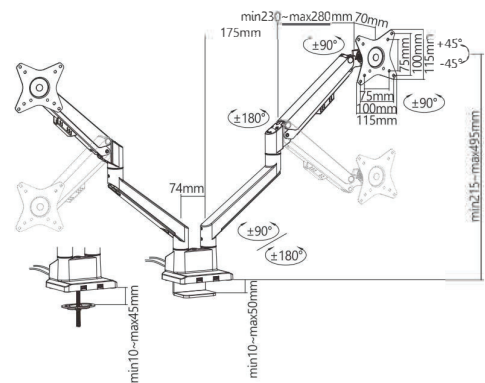
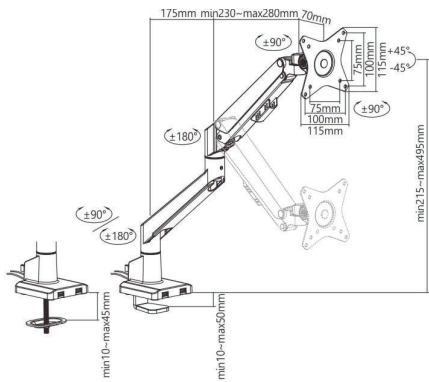
# EXP-V3



## Standard

**EXP-V3-1** For Single Monitor  
**EXP-V3-1U** For Single Monitor / 2xUSB 3.0 Cables Included

**EXP-V3-2** For Dual Monitors  
**EXP-V3-2U** For Dual Monitors / 2xUSB 3.0 Cables Included



Colors:

	17"-32"
Fit Screen Size	
Weight Capacity (per screen)	1-9kg/2.2lbs-19.8lbs
VESA Compatible	75x75, 100x100
Tilt Range	+45° - -45°
Swivel Range	+90° - -90°
Screen Rotation	+180° - -180°
Material	Aluminum, Steel, Plastic